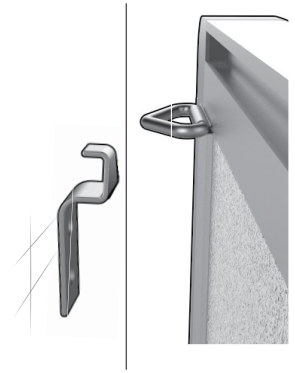




Safety Hook

- Simple, basic hook and hanger installation.
- Board can be removed and re-mounted to wall more quickly and easily.



Safety Hook Installation Instructions

1. Measure the spacing of the board hangers on the back of the board (standard 16" on center spacing). Mark wall at desired height and measured hanger spacing (figure 1).
2. Fasten the safety hooks to the wall, upright as shown, using two fasteners per hook (figure 2). Fasteners are not included.
3. Engage the pre-installed hangers on the back of the board securely onto the safety hooks (figure 2).



Figure 1

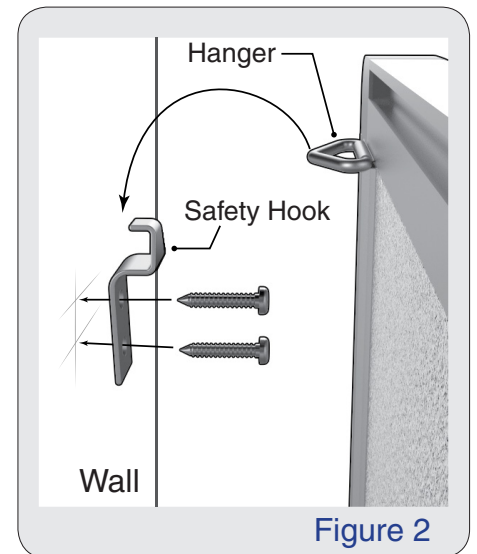


Figure 2

For more
information:
See Video →

magnatag.com/boardinstall

